

Sandall Road
Wisbech
PE13 2PS UK

Tel: +44 (0)1945 47 47 47
Fax: +44 (0)1945 47 48 49

14th July 2017

Dear Customer,

Anglia have been advised by the manufacturer Taicom that the tooling for the series listed below has been updated with immediate effect, this is due to the old tooling being beyond its serviceable life.

Taicom advise they have also taken this opportunity to revise the mouldings to improve the efficiency and yield of the production process. The revised parts have some minor dimensional and cosmetic appearance changes.

Attached below are the old and new data sheets for comparison purposes.

Series affected by this notification:

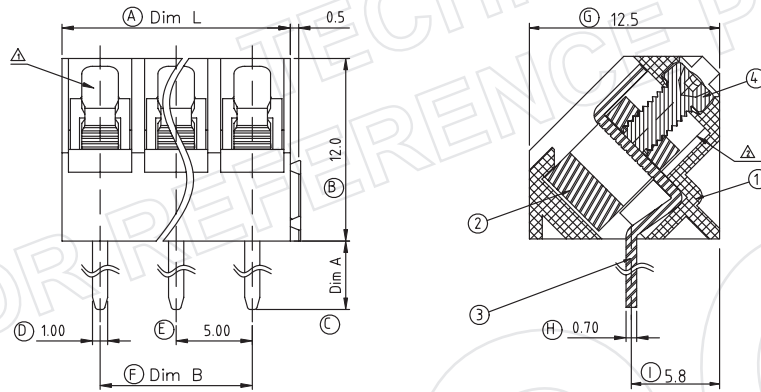
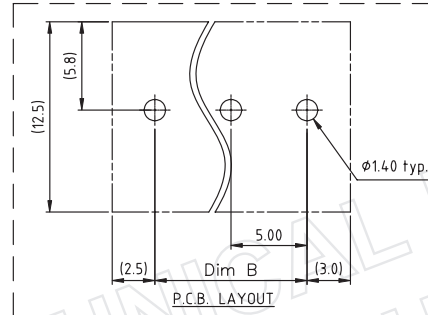
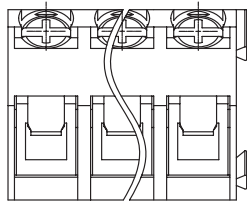
TBAxxAGN

TBAxxAGN-1

Anglia operates a strict F.I.F.O system in our Distribution Centre therefore it may take some time for this change to filter through to customer deliveries.

Please ensure this information is circulated to the relevant persons within your organisation.

Yours Sincerely
Anglia





Poles	02	03	04	05	06	07	08	09	10	11	12	13
Dim L	10.00	15.00	20.00	25.00	30.00	35.00	40.00	45.00	50.00	55.00	60.00	65.00
Dim B	5.00	10.00	15.00	20.00	25.00	30.00	35.00	40.00	45.00	50.00	55.00	60.00
TOL	±0.15						±0.25					
Poles	14	15	16	17	18	19	20	21	22	23	24	
Dim L	70.00	75.00	80.00	85.00	90.00	95.00	100.0	105.0	110.0	115.0	120.0	
Dim B	65.00	70.00	75.00	80.00	85.00	90.00	95.00	100.0	105.0	110.0	115.0	
TOL	±0.35						±0.40					

Material:

- Item 1 Terminal housing : Thermoplastic (UL 94V-0)
- Item 2 Clamp : Brass ,Ni plated
- Item 3 Wire guard solder pin : Brass ,Tin plated
- Item 4 Terminal screw : Steel Zinc plating" +/- "slot type

Electrical

- | | UL | CSA |
|--------------------------|---|---------|
| ● Voltage rating: | 300V | 300V |
| ● Current rating: | 10A | 10A |
| ● Wire range: | | |
| ● Solid wire(AWG): | 12-22 | 12-22 |
| ● Stranded wire(AWG): | 12-22 | 12-22 |
| ● Torque: | 3.5Lb-In | 4Kgf.cm |
| ● Screw: | M2.5 | M2.5 |
| ● Wire strip length: | 6-7mm | 6-7mm |
| ● Withstanding Voltage: | 1.6kv | 1.6kv |
| ● Operating temperature: | -40°C to + 115°C | |
| ● Soldering temperature: | 250°C±10°C/5 Sec | |
| ● Safety Approval: |   | |


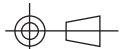
RoHS Compliant

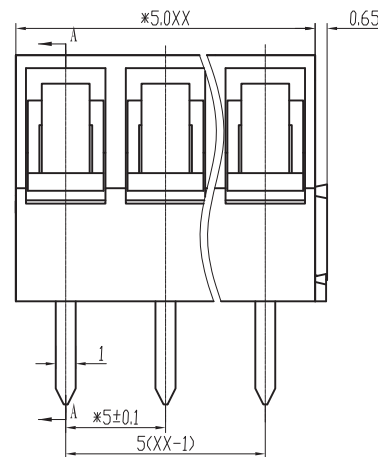
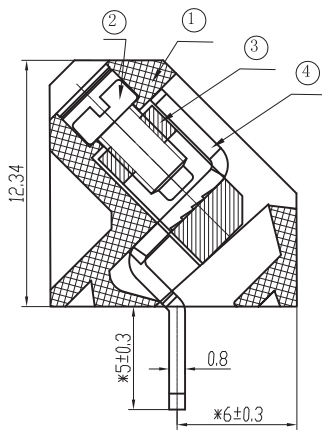
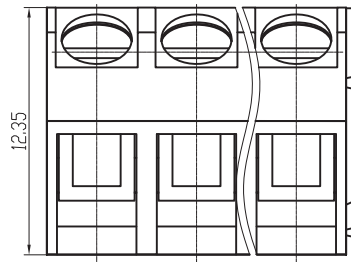
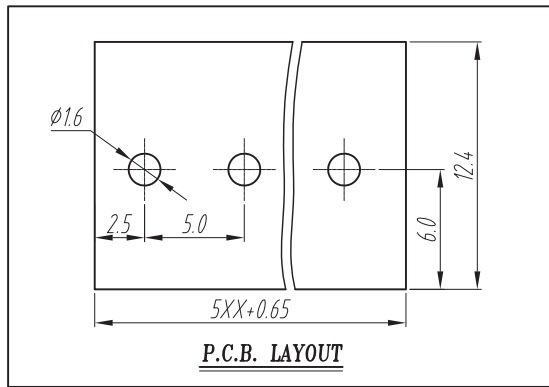
Add "-1" to end of part number for slotted screw head version

Issue	Revision Details

Product(s) MUST comply with the requirements of the RoHS Directive 2002/95/EC.

all dimensions in mm

 Sandall Road, Wisbech PE13 2PS, U.K. www.anglia.com info@anglia.com	Title: 5.0 Series 2P - 24P	Issue: 1	Issue Date: 7/4/16	Prev Issue:	
	Part No. : TBAXxAGN (Old version)	Scale: NTS	Angle: 		
	Manufacturer: TAICOM	Tol:	x. = ±0.50 x.x = ±0.30 x.xx = ±0.10	Page: 1 of 1	



SPECIFICATION

Current Rating : 15A AC/DC
 Voltage Rating : 300V AC/DC
 Operation Temperature : -40°C to +105°C
 Contact Resistance : 20m max.
 Insulation Resistance : 500M Min.
 Wire Range : 22-14AWG 1.5mm
 Withstand Voltage : 2000V AC/minute

Mechanical

Torque : 0.4Nm
 Strip Length : 4.5-5mm
 Soldering : +250°C Max for 5 sec
 Pitch : 5mm
 Poles : 2-24p

Housing : PA66, UL94V-0
 Screws : M2.5 Steel Zn Plated
 Pin Header : Brass, Tin plated
 Cage : Brass, Ni plated

Add "-1" to end of part number for slotted screw head version

variable range	linear dimension(Tolerances Standard GB/T 14486-2008)										≡	—	□	//	⊥	
	to 6	over 6 to 10	over 10 to 18	over 18 to 30	over 30 to 50	over 50 to 80	over 80 to 120	over 120 to 160	over 160 to 200	over 200 to 250						over 250 to
tolerance	±0.1	±0.14	±0.19	±0.25	±0.32	±0.43	±0.57	±0.72	±0.88	±1.05	±1.25	0.5	0.025	0.06	0.12	0.4

RoHS Compliant

Taicom TBAXxAGN (New Version)

Title : Angled, 5mm Pitch, Rising Clamp

Tolerance (Unless Specified) : $.x = \pm 0.20$
 $.xx = \pm 0.15$

Dim : (mm)

Angle :